

# TWN3 MIFARE

Single-frequency HF RFID reader with NFC support



TWN3 MIFARE  
(exemplary illustration)

TWN3 MIFARE is an RFID desktop reader designed for easy integration into various applications that supports either USB or RS-232 communication just in dependence on the connection cable. The ready-to-connect desktop reader is available in a slim line black or white housing and can be programmed with a scripting language for autonomous execution of even complex commands like login procedures, increment/decrement functions and many more.



Elevator



EV Chargers



Access



Shop POS



Fitness  
Equipment



Ticket POS



PC Log-on



Document  
Management



Driver ID



Vending



Parking



Gaming



Locker Locks



Time  
Attendance



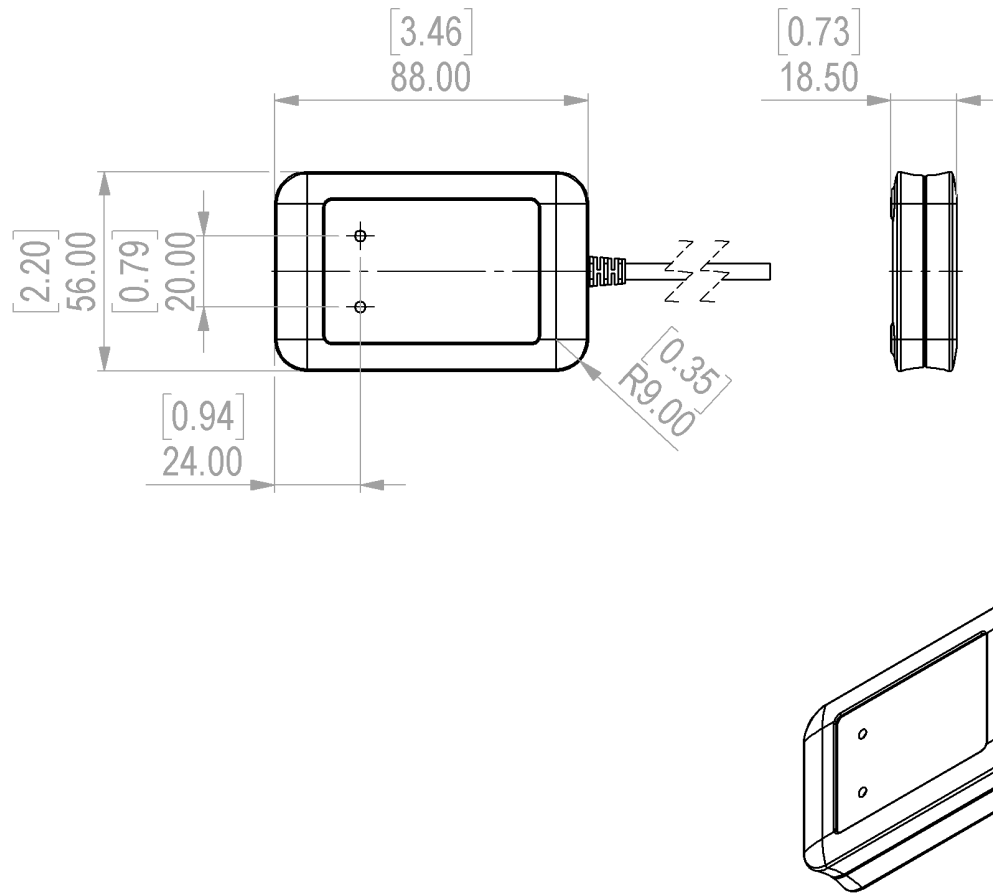
Industrial  
PC

## TECHNICAL DATA

|                        |   |
|------------------------|---|
| FREQUENCIES            | 13.56 MHz (HF)  |
| ANTENNA                | PCB aircoil, integrated   |
| HOUSING                | Material: ABS UL94-V0<br>Color: black or white  |
| DIMENSIONS (L X W X H) | Approx. 88.00 x 56.00 x 18.50 mm / 3.46 x 2.20 x 0.73 inch  |
| POWER                  | USB: 5.0 V ± 10%<br>RS-232: requires 5 V external power supply<br>ES1/PS2 classified power source according to IEC 62368-1, short-circuit current < 8 A   |
| CURRENT CONSUMPTION    | 55 mA typically (USB, normal operation); 120 mA peak  |
| TEMPERATURE RANGE      | Operating: -25 °C up to +70 °C (-13 °F up to +158 °F)<br>Storage: -40 °C up to +75 °C (-40 °F up to +167 °F)  |
| RELATIVE HUMIDITY      | 5% to 95% non-condensing  |
| READ/WRITE DISTANCE    | Up to 100 mm / 4 inch, depending on environment and transponder   |
| OPERATING MODES (USB)  | USB keyboard emulation – USB virtual COM port (bi-directional communication) – Direct access to built-in RFID module (transparent mode)   |
| MTBF                   | 500,000 hours   |
| SUPPORTED TRANSPONDERS | Depending on the firmware version, the reader supports a wide range of transponder technologies. Please refer to the relevant ELATEC transponder matrix (available at <a href="http://www.elatec-rfid.com/int/transponder-technology">www.elatec-rfid.com/int/transponder-technology</a> ) for more information about the transponder technologies supported by the reader. |
| OS SUPPORT             | Windows 7 (32-/64-bit) and higher versions, Linux   |
| PERIPHERAL INTERFACES  | USB, RS-232   |
| TRANSMISSION SPEED     | USB full speed (12 Mbit/s)<br>RS-232: baudrate 9600<br>Parity: none, even, odd  |
| CERTIFICATION NAME     | TWN3 MIFARE   |
| CERTIFICATIONS         | Non-exhaustive list <sup>2)</sup> :<br>CE/RED, FCC, IC, TAA compliant, REACH and RoHS-III compliant   |
| ORDER CODES            | T3DT-MB2BEL Standard reader, USB cable, black housing<br>T3DT-MB2WEL Standard reader, USB cable, white housing<br>T3DT-MR2BEL Standard reader, RS-232 cable, black housing<br>T3DT-MR2WEL Standard reader, RS-232 cable, white housing  |

<sup>1)</sup>The product has been certified for use in many countries and regions. Contact your Sales representative for detailed information about all certifications and approvals granted to the product.

## TECHNICAL DRAWINGS



All measures in mm [inch]

### ELATEC GmbH

Zeppelinstr. 1  
82178 Puchheim  
Germany  
P +49 89 552 9961 0  
F +49 89 552 9961 129  
E-Mail: [info-rfid@elatec.com](mailto:info-rfid@elatec.com)  
Website: [elatec.com](http://elatec.com)

### ELATEC Systems GmbH

Schwieberdinger Str. 44  
71636 Ludwigsburg  
Germany  
P +49 7141 309736 0  
E-Mail: [info-rfid@elatec.com](mailto:info-rfid@elatec.com)  
Website: [elatec.com](http://elatec.com)

### ELATEC Inc.

1995 SW Martin Hwy  
Palm City • FL 34990  
USA  
P +1 772 210 2263  
F +1 772 382 3749  
E-Mail: [americas-info@elatec.com](mailto:americas-info@elatec.com)  
Website: [elatec.com](http://elatec.com)

### ELATEC Technology (Shenzhen) LLC

918, Main Building, Tian An Cyber Times  
Tower, No. 6, Tairan Fourth Road, Tian 'an  
Community, Shatou Neighborhood  
Futian District • Shenzhen • China  
P/F +86 755 2394 6014  
E-Mail: [apac-info@elatec.com](mailto:apac-info@elatec.com)  
Website: [elatec.com](http://elatec.com)

ELATEC reserves the right to change any information or data in this document without prior notice. ELATEC declines all responsibility for the use of this product with any other specification but the one mentioned above. Any additional requirement for a specific customer application has to be validated by the customer themselves at their own responsibility. Where application information is given, it is only advisory and does not form part of the specification. Disclaimer: All names used in this document are registered trademarks of their respective owners.